

BL (1-m)	3.45	Vas (l)	1.17
DCR (ohms)	2.30	Fs (Hz)	142.0
Mms (g)	6.13	Qes	1.06
Sd (sq cm)	63.6	Qms	10.12
Cms (µm/N)	205	Qt	0.96

SPECIFICATIONS
 Type: 4" (100mm) 2-Way
 Impedance: 2 Ohms
 Power Handling, RMS: 35W
 Frequency Response: 85Hz – 21kHz
 Sensitivity (2.83V, 1m): 92dB

WARRANTY : Reference Series speakers are warranted against defects. The duration of the speaker's warranty depends on the laws in the country in which it was purchased. Your local Infinity car audio retailer can help you determine the length of your warranty. To register your product, please visit us at www.infinitysystems.com.

SPECIFICATIONS
 Type: 4" (100mm) 2-Way
 Impedance: 2 Ohms
 Power Handling, RMS: 35W
 Frequency Response: 85Hz – 21kHz
 Sensitivity (2.83V, 1m): 92dB

WARRANTY : Reference Series speakers are warranted against defects. The duration of the speaker's warranty depends on the laws in the country in which it was purchased. Your local Infinity car audio retailer can help you determine the length of your warranty. To register your product, please visit us at www.infinitysystems.com.

SPECIFICATIONS
 Type: 4" (100mm) 2-Way
 Impedance: 2 Ohms
 Power Handling, RMS: 35W
 Frequency Response: 85Hz – 21kHz
 Sensitivity (2.83V, 1m): 92dB

WARRANTY : Reference Series speakers are warranted against defects. The duration of the speaker's warranty depends on the laws in the country in which it was purchased. Your local Infinity car audio retailer can help you determine the length of your warranty. To register your product, please visit us at www.infinitysystems.com.

SPECIFICATIONS
 Type: 4" (100mm) 2-Way
 Impedance: 2 Ohms
 Power Handling, RMS: 35W
 Frequency Response: 85Hz – 21kHz
 Sensitivity (2.83V, 1m): 92dB

WARRANTY : Reference Series speakers are warranted against defects. The duration of the speaker's warranty depends on the laws in the country in which it was purchased. Your local Infinity car audio retailer can help you determine the length of your warranty. To register your product, please visit us at www.infinitysystems.com.

SPECIFICATIONS
 Type: 4" (100mm) 2-Way
 Impedance: 2 Ohms
 Power Handling, RMS: 35W
 Frequency Response: 85Hz – 21kHz
 Sensitivity (2.83V, 1m): 92dB

WARRANTY : Reference Series speakers are warranted against defects. The duration of the speaker's warranty depends on the laws in the country in which it was purchased. Your local Infinity car audio retailer can help you determine the length of your warranty. To register your product, please visit us at www.infinitysystems.com.

SPECIFICATIONS
 Type: 4" (100mm) 2-Way
 Impedance: 2 Ohms
 Power Handling, RMS: 35W
 Frequency Response: 85Hz – 21kHz
 Sensitivity (2.83V, 1m): 92dB

WARRANTY : Reference Series speakers are warranted against defects. The duration of the speaker's warranty depends on the laws in the country in which it was purchased. Your local Infinity car audio retailer can help you determine the length of your warranty. To register your product, please visit us at www.infinitysystems.com.

SPECIFICATIONS
 Type: 4" (100mm) 2-Way
 Impedance: 2 Ohms
 Power Handling, RMS: 35W
 Frequency Response: 85Hz – 21kHz
 Sensitivity (2.83V, 1m): 92dB

WARRANTY : Reference Series speakers are warranted against defects. The duration of the speaker's warranty depends on the laws in the country in which it was purchased. Your local Infinity car audio retailer can help you determine the length of your warranty. To register your product, please visit us at www.infinitysystems.com.

SPECIFICATIONS
 Type: 4" (100mm) 2-Way
 Impedance: 2 Ohms
 Power Handling, RMS: 35W
 Frequency Response: 85Hz – 21kHz
 Sensitivity (2.83V, 1m): 92dB

WARRANTY : Reference Series speakers are warranted against defects. The duration of the speaker's warranty depends on the laws in the country in which it was purchased. Your local Infinity car audio retailer can help you determine the length of your warranty. To register your product, please visit us at www.infinitysystems.com.

SPECIFICATIONS
 Type: 4" (100mm) 2-Way
 Impedance: 2 Ohms
 Power Handling, RMS: 35W
 Frequency Response: 85Hz – 21kHz
 Sensitivity (2.83V, 1m): 92dB

WARRANTY : Reference Series speakers are warranted against defects. The duration of the speaker's warranty depends on the laws in the country in which it was purchased. Your local Infinity car audio retailer can help you determine the length of your warranty. To register your product, please visit us at www.infinitysystems.com.

SPECIFICATIONS
 Type: 4" (100mm) 2-Way
 Impedance: 2 Ohms
 Power Handling, RMS: 35W
 Frequency Response: 85Hz – 21kHz
 Sensitivity (2.83V, 1m): 92dB

WARRANTY : Reference Series speakers are warranted against defects. The duration of the speaker's warranty depends on the laws in the country in which it was purchased. Your local Infinity car audio retailer can help you determine the length of your warranty. To register your product, please visit us at www.infinitysystems.com.

SPECIFICATIONS
 Type: 4" (100mm) 2-Way
 Impedance: 2 Ohms
 Power Handling, RMS: 35W
 Frequency Response: 85Hz – 21kHz
 Sensitivity (2.83V, 1m): 92dB

WARRANTY : Reference Series speakers are warranted against defects. The duration of the speaker's warranty depends on the laws in the country in which it was purchased. Your local Infinity car audio retailer can help you determine the length of your warranty. To register your product, please visit us at www.infinitysystems.com.

SPECIFICATIONS
 Type: 4" (100mm) 2-Way
 Impedance: 2 Ohms
 Power Handling, RMS: 35W
 Frequency Response: 85Hz – 21kHz
 Sensitivity (2.83V, 1m): 92dB

WARRANTY : Reference Series speakers are warranted against defects. The duration of the speaker's warranty depends on the laws in the country in which it was purchased. Your local Infinity car audio retailer can help you determine the length of your warranty. To register your product, please visit us at www.infinitysystems.com.

SPECIFICATIONS
 Type: 4" (100mm) 2-Way
 Impedance: 2 Ohms
 Power Handling, RMS: 35W
 Frequency Response: 85Hz – 21kHz
 Sensitivity (2.83V, 1m): 92dB

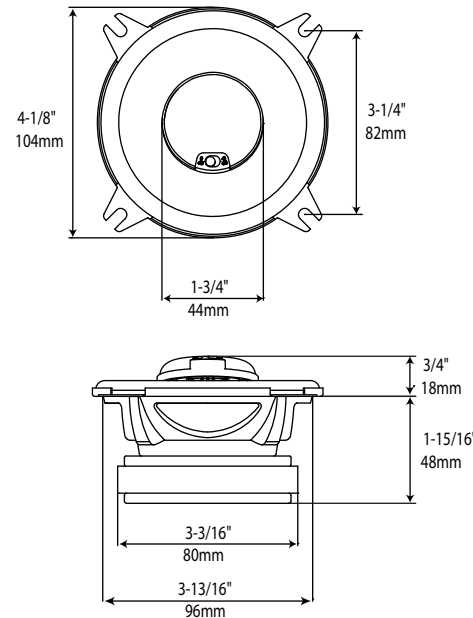
WARRANTY : Reference Series speakers are warranted against defects. The duration of the speaker's warranty depends on the laws in the country in which it was purchased. Your local Infinity car audio retailer can help you determine the length of your warranty. To register your product, please visit us at www.infinitysystems.com.

SPECIFICATIONS
 Type: 4" (100mm) 2-Way
 Impedance: 2 Ohms
 Power Handling, RMS: 35W
 Frequency Response: 85Hz – 21kHz
 Sensitivity (2.83V, 1m): 92dB

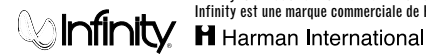
WARRANTY : Reference Series speakers are warranted against defects. The duration of the speaker's warranty depends on the laws in the country in which it was purchased. Your local Infinity car audio retailer can help you determine the length of your warranty. To register your product, please visit us at www.infinitysystems.com.

SPECIFICATIONS
 Type: 4" (100mm) 2-Way
 Impedance: 2 Ohms
 Power Handling, RMS: 35W
 Frequency Response: 85Hz – 21kHz
 Sensitivity (2.83V, 1m): 92dB

WARRANTY : Reference Series speakers are warranted against defects. The duration of the speaker's warranty depends on the laws in the country in which it was purchased. Your local Infinity car audio retailer can help you determine the length of your warranty. To register your product, please visit us at www.infinitysystems.com.



Designed and engineered in the USA. Conception et design aux É.U.A.
 A valid serial number is required for warranty coverage. Un numéro de série valable est exigé pour la couverture de la garantie.
 Features, specifications and appearance are subject to change without notice.
 Les dispositifs, les caractéristiques et l'aspect sont sujets au changement sans communication préalable.
 Harman International, Consumer Division, 8500 Balboa Blvd., Northridge, CA 91329 USA
www.infinitysystems.com
 © 2009 Harman International Industries, Incorporated. All rights reserved. Tous droits réservés. • Part No. REF40320M1/09
 Infinity is a trademark of Harman International Industries, Incorporated, registered in the United States and/or other countries.
 Infinity est une marque commerciale de Harman International Industries, Incorporated, déposée aux États-Unis et/ou dans d'autres pays.



Declaration of Conformity

CE

We, Harman International, Consumer Division
 2, route de Tours
 72500 Château du Loir
 France

declare in own responsibility that the product described in this owner's manual is in compliance with technical standards:

EN 61000-6-3:2001
 EN 61000-6-1:2001

Klaus Leberherz
 Klaus Leberherz
 Harman Consumer Group, Inc.
 Château du Loir, France 1/09



